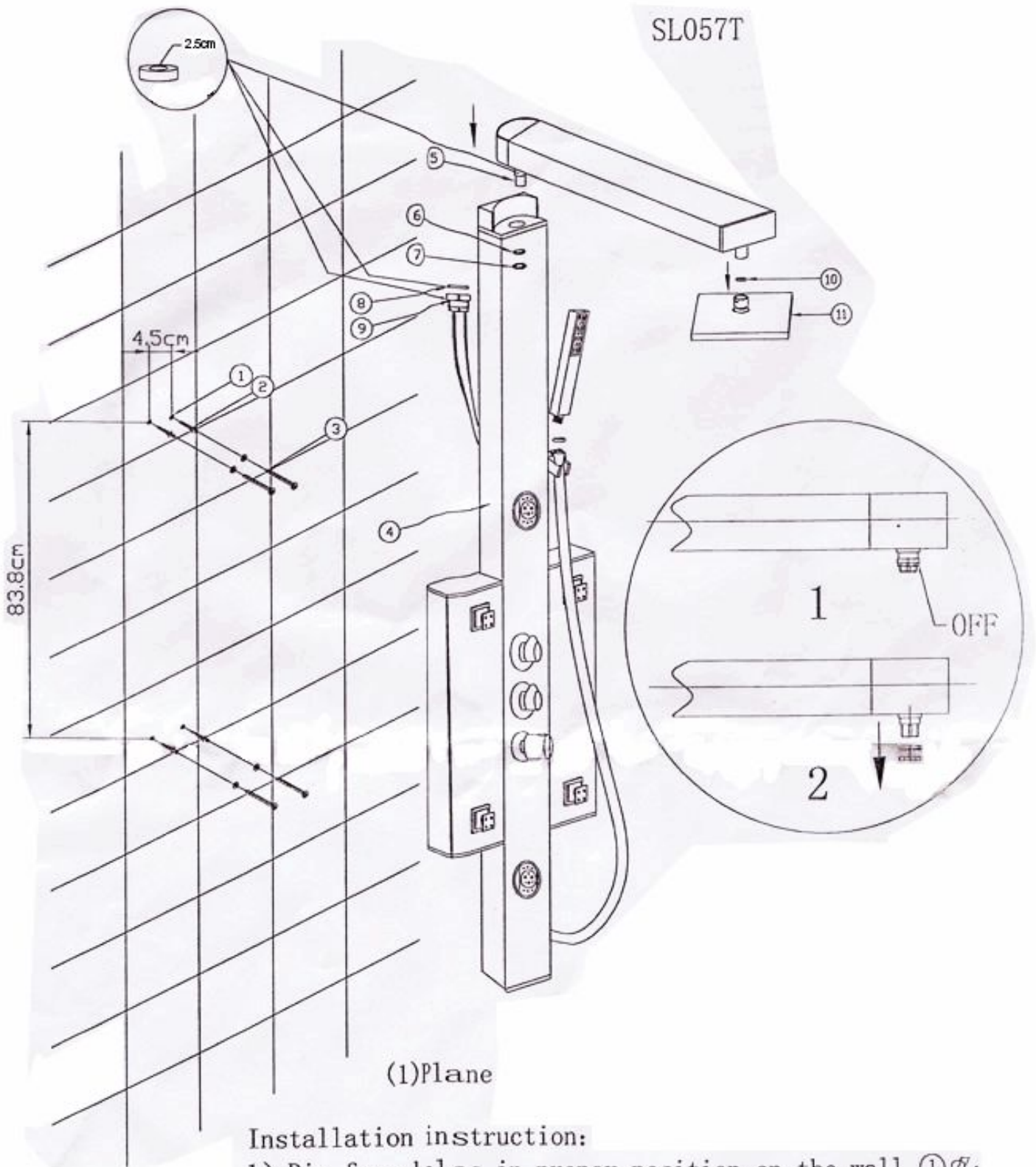


SL057T



(1)Plane

Installation instruction:

- 1) Dig four holes in proper position on the wall ① $\varnothing$ ;
- 2) Put the plastic plug ② into the hole  $\varnothing 7$ ;
- 3) Install the screws ③;
- 4) Put ⑤ on ④;
- 5) Put ⑥ on ⑤ install the screw ⑦ on ⑤;
- 6) put ⑧ into ⑨ install the screws ⑨ on ⑤.
- 7) put ⑩ in to ⑪ install ⑫.
- 8) Hang ④ on ③.
- 9) Install hand shower and hose.