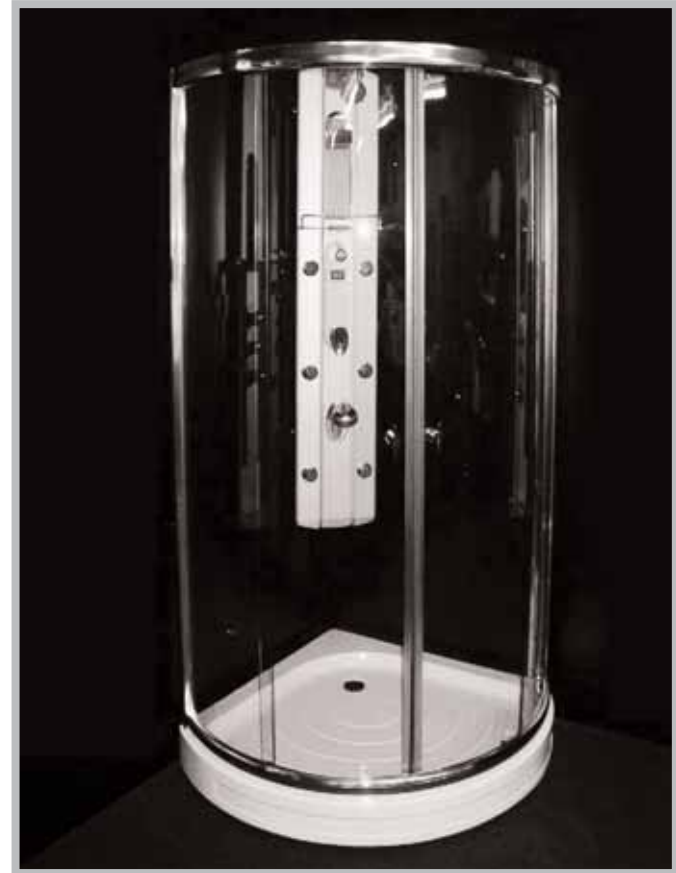


NOTES

Shower Cubicle Installation

Quadrant -ML219



OWNER'S GUIDE



IMPORTANT NOTICE



Install strictly according to the installation instructions to ensure a safe and secure shower cubicle and to avoid any accidents.



After opening the box, please check all glass panels and store in an upright position against a wall. The glass may become distorted if stored incorrectly.

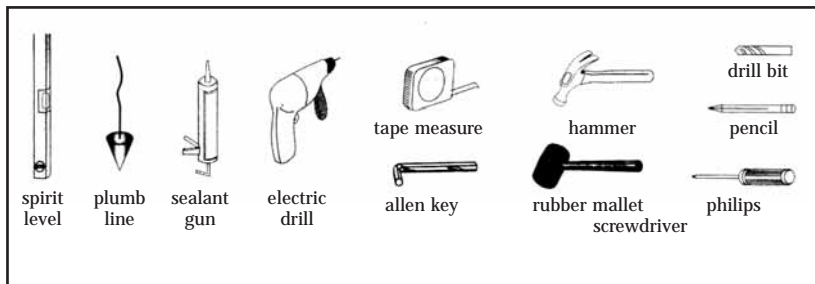


When moving the glass, keep in the upright position. You will require two people to do this safely.



⊗ Do not hit any part of the shower panel with heavy objects as it is fragile.

FOR INSTALLATION YOU WILL REQUIRE



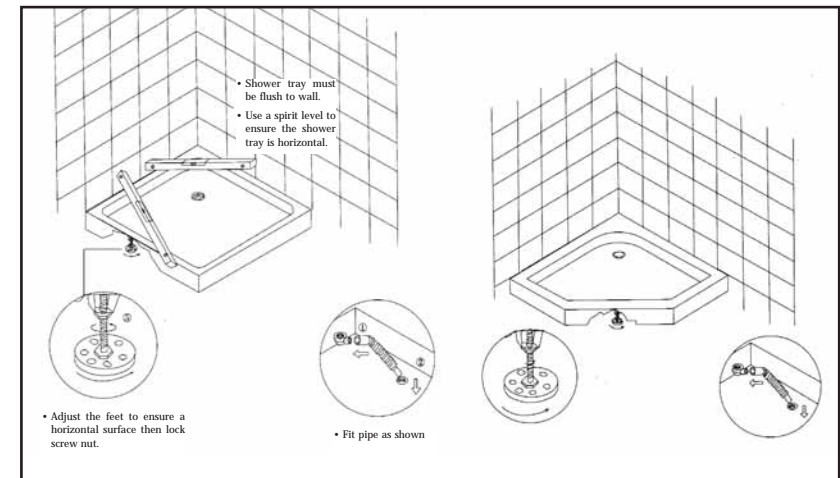
ALL TRAYS

General note: This tray can be installed directly on the floor or on a tailor made raised plinth to allow the drain outlet fall - 1 in 15 recommended.

TRAY INSTALLATION INSTRUCTIONS

Quadrant/Square/Pentagon:

- 1 Attach waste to base and seal with proprietary sealant - ensure outlet pipe of waste is aligned with $\varnothing 1\frac{1}{2}$ " waste pipe.
- 2 Level base-
 - (a) Set all Adjustable feet to the same height and offer into position.
 - (b) Check using spirit level, adjust the feet accordingly so that the base is firm and level.
 - (c) When level is obtained tighten securing nut on each of the adjustable feet to lock into position.
- 3 Connect $\varnothing 1\frac{1}{2}$ " waste outlet pipe to shower trap outlet waste.
- 4 Seal the base edge to the wall.
 - To (a) provide water tight seal.
 - (b) add rigidity.



ML219 -QUADRANT**PARTS LIST**

no.	descriptions	quantity
1	pillar	2
2	Handles (Pair)	1
3	screws (Long)	8 (+1 spare)
4	screws (Short)	8 (+1 spare)
5	plugs	8 (+1 spare)
6	glass	4
7	top (4) & bottom (2) rails	2
8	supported holder	8
9	screws	16
10	magnetic strips	2
11	door seals	2

INSTALLATION STEPS (after fitting tray and waste)**General Notes:**

- Ensure pillars are correctly positioned and are vertical using spirit level prior marking out and drilling.
- Fixings supplied for brick walls. Specialised fixings may be required.

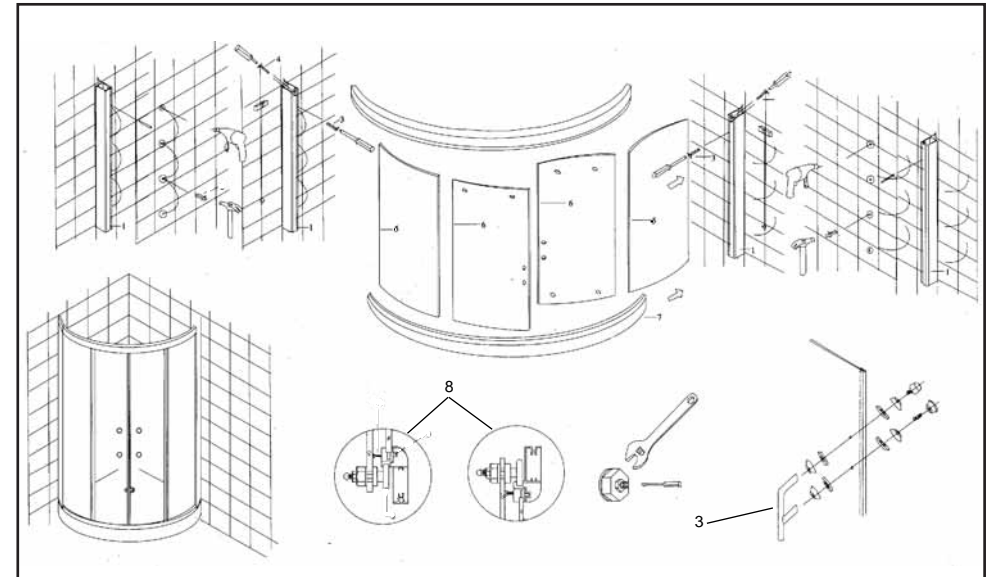
- Assemble Pillar 1 (2 off) to Curved Slider Rail 7 (2 off) and secure with screws 4 (8 off).

NOTE: Ensure arrows are upwards.

- Present frame to base and mark holes through the pre-drilled fixing points in no.1. Remove frame.

NOTE: Ensure no.1 is vertical using spirit level prior to marking hole positions.

- Drill and fix frame to wall.
- When the frame is fixed to wall; check the frame is sat in the tray with no gaps between frame and tray.

**GLASS ASSEMBLY INSTRUCTIONS****Glass panels**

- Fit glass panel into groove in no.1 and secure by using 3 off clamps (tighten screws).

Note : A bead of silicone should be used to seal between the glass and the pillar

DOOR ASSEMBLY INSTRUCTIONS**Adjustable sliding roller**

- Fit no.8 (4 off) to no.6
- Hang no.6 to slider no.7, locate bottom rollers in bottom no.7 and adjust for smooth movement.

NOTE: Ensure handle hole(s) are central when door is closed.

- Fit seal to door
- Adjust doors for: (a) Equal height
(b) Even vertical seal at joint.